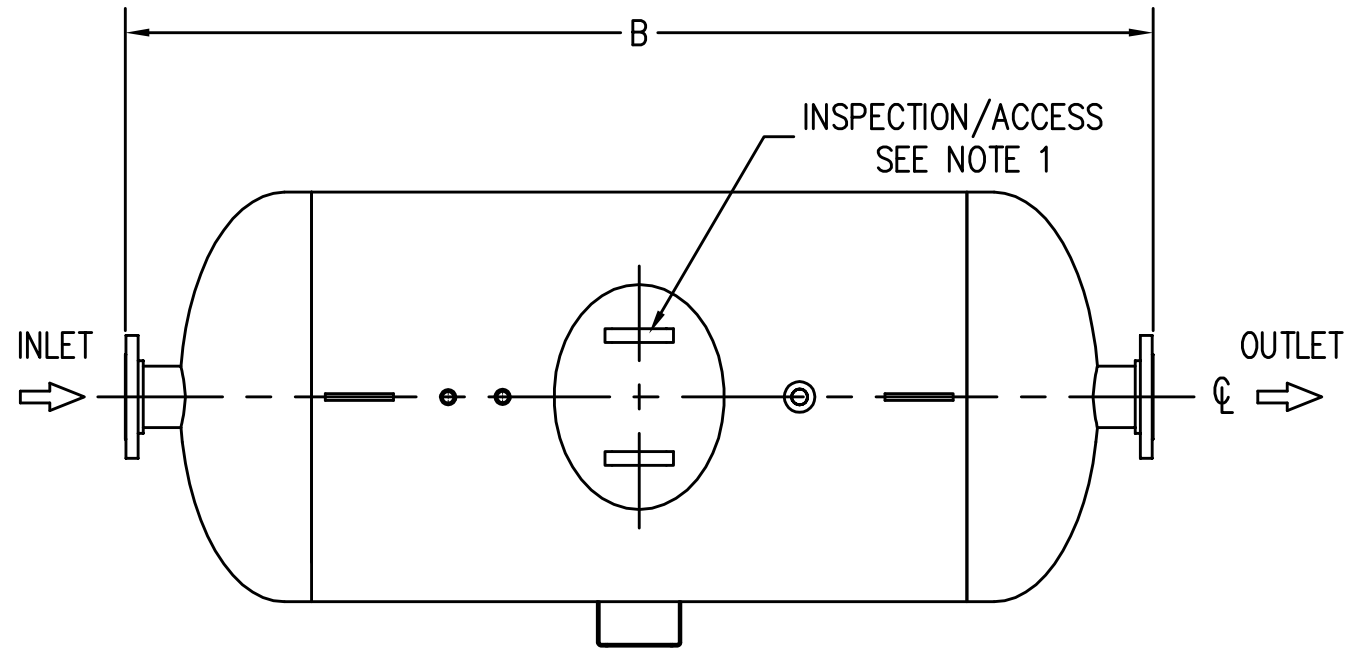
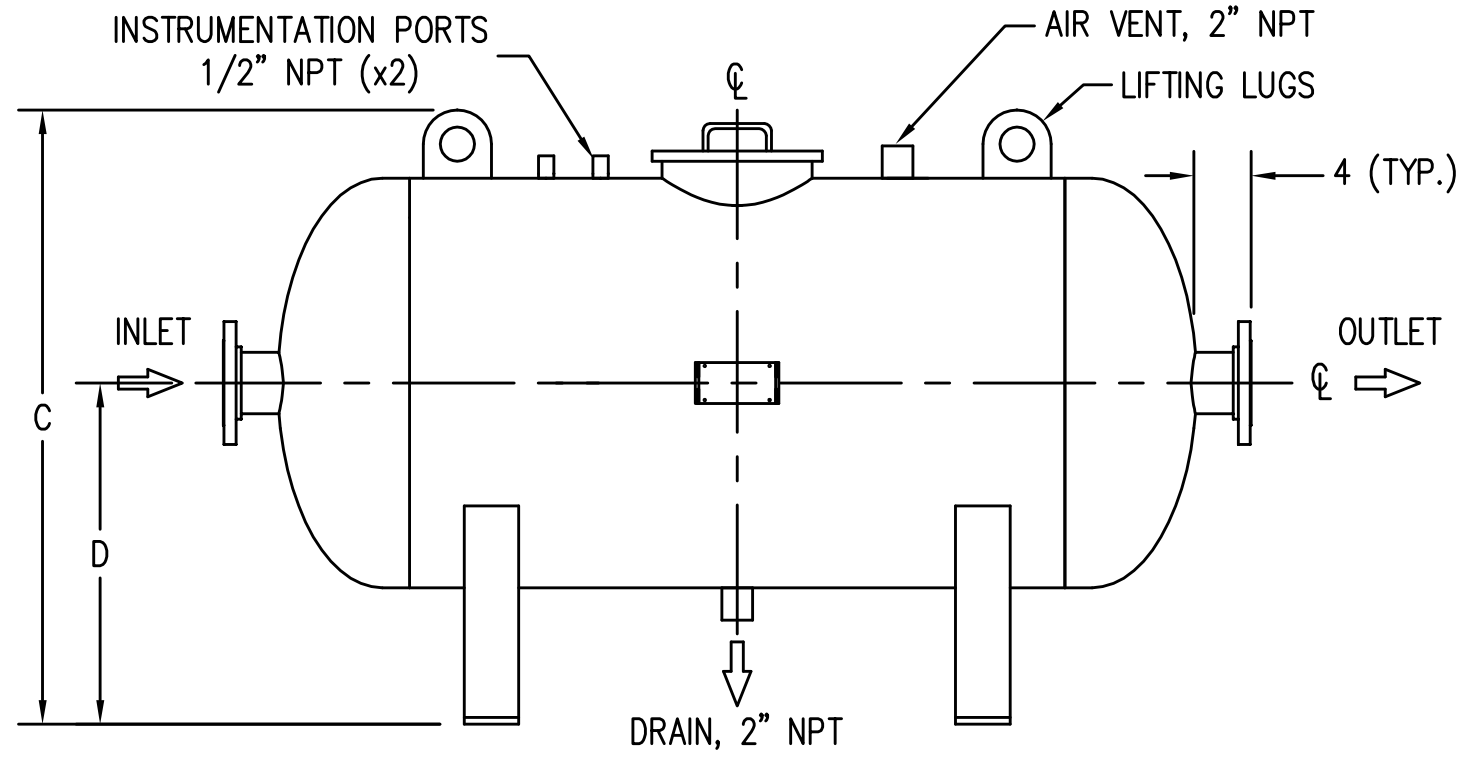


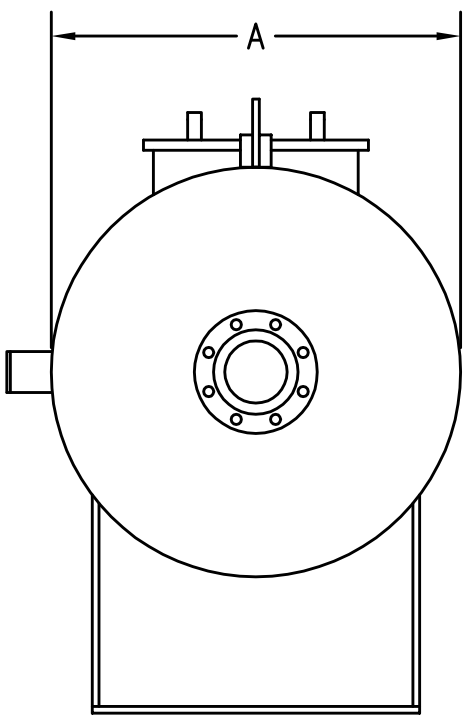
| VOLUME [GALLONS] | 2 | | | | IN/OUT | INSPECTION/ACCESS |
|---------------------|-----|---------|----|----|-----------|-------------------|
| | A | B | C | D | | |
| 50 | ø24 | 41 1/2 | 39 | 22 | 2" NPT | 1-1/2" |
| 100 | ø24 | 67 1/2 | 39 | 22 | 2" NPT | 1-1/2" |
| 150 | ø24 | 93 1/2 | 39 | 22 | 2" NPT | 1-1/2" |
| 200 | ø30 | 81 1/2 | 45 | 25 | 3" NPT | 6x8 ELLIPTICAL |
| 250 | ø30 | 98 1/2 | 45 | 25 | 3" NPT | 6x8 ELLIPTICAL |
| 300 | ø36 | 85 1/2 | 51 | 28 | 3" NPT | 6x8 ELLIPTICAL |
| 400 | ø36 | 109 1/2 | 51 | 28 | 3" NPT | 6x8 ELLIPTICAL |
| 500 | ø42 | 102 1/2 | 57 | 31 | 4" FLANGE | 11x15 ELLIPTICAL |
| 550 | ø42 | 111 1/2 | 57 | 31 | 4" FLANGE | 11x15 ELLIPTICAL |
| 600 | ø42 | 119 1/2 | 57 | 31 | 4" FLANGE | 11x15 ELLIPTICAL |
| 700 | ø48 | 110 1/2 | 63 | 34 | 4" FLANGE | 11x15 ELLIPTICAL |
| 750 | ø48 | 116 1/2 | 63 | 34 | 4" FLANGE | 11x15 ELLIPTICAL |
| 800 | ø48 | 123 1/2 | 63 | 34 | 4" FLANGE | 11x15 ELLIPTICAL |
| 900 | ø48 | 136 1/2 | 63 | 34 | 4" FLANGE | 11x15 ELLIPTICAL |
| 1000 | ø48 | 149 1/2 | 63 | 34 | 4" FLANGE | 11x15 ELLIPTICAL |



TOP VIEW



FRONT VIEW



SIDE VIEW

- NOTES
- INSPECTION/ACCESS OPENINGS WILL BE INCLUDED AS REQUIRED BY CODE.
 - DIMENSIONS ARE IN INCHES.
 - GIVEN DIMENSIONS ARE APPROXIMATES ONLY.
 - SAFNA RESERVES THE RIGHT TO MAKE CHANGES TO OUR PRODUCTS WITHOUT NOTICE.

| | | | |
|--|--|--|-----------------------------|
| UNIT VOLUME: SEE VOLUME COLUMN | MAX. ALLOWABLE WORKING PRESSURE: 150 PSIG @ 150°F | SPECIAL SERVICE TYPE: N/A | HEAT TREATMENT: N/A |
| MATERIAL: SA-516 GR.70 | MINIMUM DESIGN METAL TEMPERATURE: -20°F @ 150PSIG | NONDESTRUCTIVE EXAMINATION RQMT.: N/A | CORROSION ALLOWANCE: 0.0 |
| DRY WEIGHT: N/A | DESIGN PRESSURE (INTERNAL): 150 PSIG | TEST PRESSURE: 195 PSIG | INTERNAL FINISH: GLYPYAL |
| DESIGN TEMPERATURE: 150°F | DESIGN PRESSURE (EXTERNAL): 0 PSIG | HYDROSTATIC TEST PRESSURE: 195 PSIG | EXTERNAL FINISH: PRIMER |
| DESIGN CODE: ASME SECTION VIII, DIV I. 2010 ED. | | | CODE STAMP: U-STAMP |

CONFIDENTIALITY

THIS DRAWING & THE INFORMATION CONTAINED THEREIN IS CONFIDENTIAL & PROPRIETARY TO HEATEFLEX CORPORATION AND MAY NOT BE TRACED, PHOTOGRAPHED, REPRODUCED IN ANY MANNER, NOR USED FOR ANY PURPOSE WHATSOEVER WITHOUT THE EXPRESS WRITTEN AUTHORIZATION OF HEATEFLEX ENGINEERING.

UNLESS OTHERWISE NOTED DIMENSIONS & TOLERANCING ARE IN INCHES (Millimeters) & PER ANSI-Y14.5 & SAFNA ENGINEERING DRAFTING STANDARDS.

| | | |
|-----------|---------|---------|
| DECIMALS: | in | mm |
| .X | ± 0.25 | ± 6.35 |
| .X | ± 0.1 | ± 2.5 |
| .XX | ± 0.01 | ± 0.25 |
| .XXX | ± 0.005 | ± 0.127 |
| X/XX | ± 1/32 | |
| ∅ | ± 0.5" | ± 0.5" |

SAFNA
A DIVISION OF HEATEFLEX

1653 E MAURETANIA ST. WILMINGTON, CA 90744
TEL: (626) 599-8566 FAX: (626) 599-9567

TITLE: HORIZONTAL HOLDING TANK
HORIZONTAL TANK GENERIC DRAWING
ANSI FLANGE INPUT/OUTPUT

| | | | | | |
|----------------------------|-------------------|--------------|-------|--------------------------------------|----------------|
| DRAWN BY: D. R. Girdner | DATE: 11/07/11 | ENG/DSGN: | DATE: | DWG. NO.: HORIZONTAL TANK GENERIC | REV. 00 |
| DRAFTING QC: | DATE: | APPROVED BY: | DATE: | SHEET: 1 OF 1 | SCALE: NONE |
| | | | | FILE: HORIZONTAL TANK | |